



Thru Beam Photoelectric Sensors



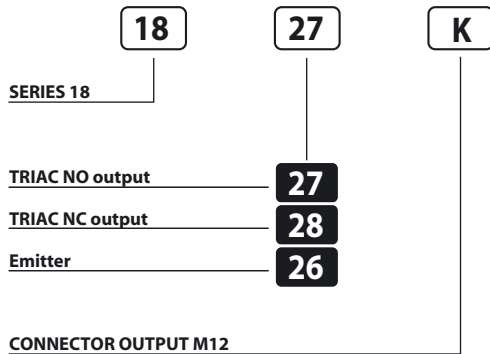
PHOTOELECTRIC SENSORS IN PLASTIC HOUSING 24 ÷ 230 V AC TRIAC NO AND NC OUTPUT

- Short housing
- Leakage < 1.5 mA @ 220 V AC
- Cable or M12 quick connect models

18 Series



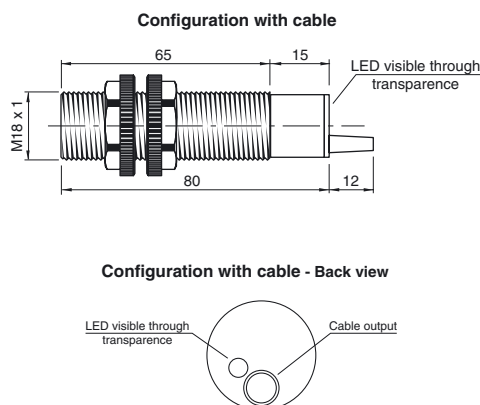
Identification code



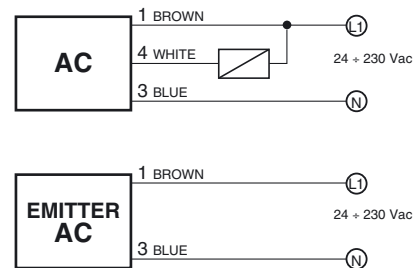
AVAILABLE	RECEIVER	EMITTER
NOMINAL SWITCHING DISTANCE (Sn)	5 m	
TOLERANCE	+10/-10 %Sn	
HYSTERESIS	10%	
EMISSION	-	Infrared (875 nm)
NOMINAL VOLTAGE	24 ÷ 230VAC (-15 /+10%)	
MAINS FREQUENCY	50 ÷ 60 Hz	
MAX. OUTPUT CURRENT	150 mA	-
LEAKAGE CURRENT	≤ 1.5mA (at 220VAC)	-
ABSORPTION	1 W	-
VOLTAGE DROP (Sensor ON)	< 2.5 V	
OPERATION LED	Yellow	
SWITCHING FREQUENCY	10 Hz	
RESPONSE TIME	100 mS	
START UP DELAY	300 mS	
ELECTRIC PROTECTIONS	Against inductive loads	
TEMPERATURE LIMITS	-10 ÷ +60 °C	
LIGHT IMMUNITY	2000 Lux ⁽¹⁾	
PROTECTION DEGREE	IP 67 (IP 65 for models with sensitivity adjustment)	
CABLE LENGTH	2 m	
CABLE SECTION	3 x 0.35 mm ²	2 x 0.25 mm ²
HOUSING MATERIAL	Housing: nylon loaded with fiberglass - Lenses: methacrylate	
WEIGHT - cable output -	120 g	

⁽¹⁾ Determined with halogen tungsten lamp 3000° K.
 Note: for a proper use see norms at pages 12, 13, 14, 15 and 16.

Dimensions (mm)



Wiring diagrams

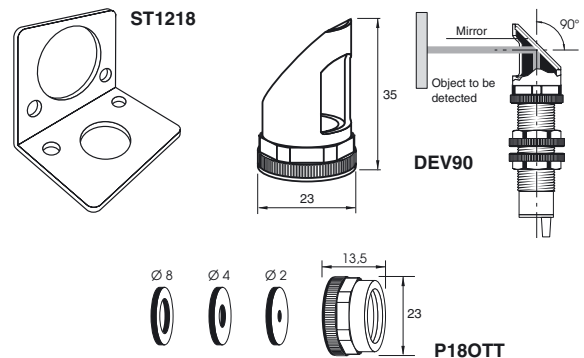


WARNING: Short circuit in the output is not possible. Wrong supply cables connections can irreparably damage the detector. Therefore sensors whose output status is short-circuited will not be substituted under warranty.

CONNECTIONS IN PARALLEL

In parallel connections with multiple outputs, the maximum leakage current (< 1,5 mA at 220 VAC) referring to the load and the supply should be taken into account when calculating the max. quantity of connectable sensors. It is important in this connection that the sensors are connected at the same phase.

Accessories



Characteristic curves

