



Amplified Inductive Sensors Ø 6.5



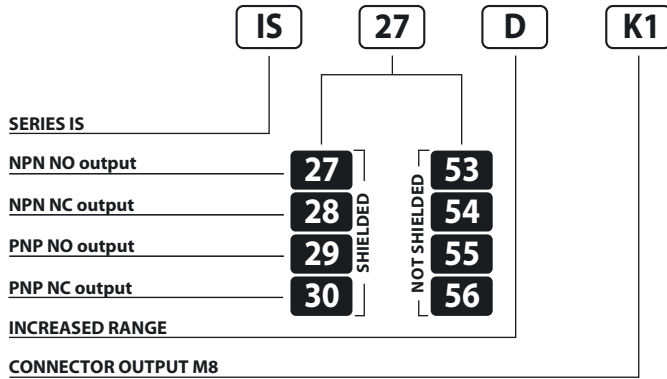
AMPLIFIED INDUCTIVE SENSORS INCREASED RANGE 10÷30 VDC 3 WIRES NPN OR PNP OUTPUT

- Three-wire sensors
- Increased range, shielded, not shielded
- Range, 2mm to 3mm
- Short housing models
- Cable or M8 quick connect models
- 200mA NPN or PNP
- Operation LED

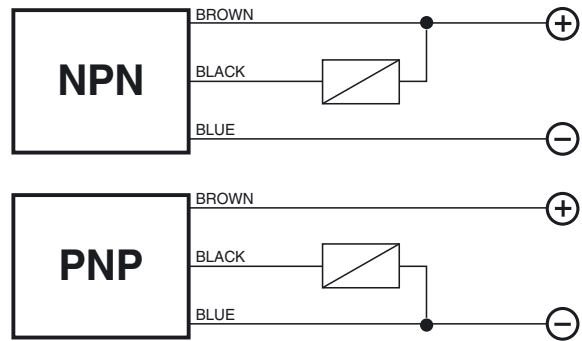
IS Series



Identification code

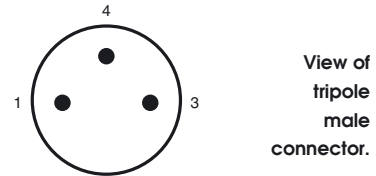


Wiring diagrams



| | SHIELDED | NOTSHIELDED |
|--|---|-------------|
| NOMINAL SWITCHING DISTANCE (S _n) | 2 mm | 3 mm |
| NOMINAL VOLTAGE | 10 ÷ 30 VDC (-15 / +10%) | |
| RESIDUAL RIPPLE | ≤ 10% | |
| HYSTERESIS | < 10% | |
| MAX. OUTPUT CURRENT | 200 mA | |
| RESIDUAL CURRENT | < 10 mA | |
| VOLTAGE DROP (Sensor ON) | < 1.2 V (I = 100 mA) | |
| OPERATION LED | Yellow | |
| SWITCHING FREQUENCY | 500 Hz | |
| START UP DELAY | ≤ 75 mS | |
| REPEATABILITY | ≤ 3% | |
| SHORT CIRCUIT PROTECTION | Present (self-resetting) | |
| ELECTRIC PROTECTIONS | Against polarity reversal - inductive loads | |
| TEMPERATURE LIMITS | - 25 ÷ +70 °C | |
| PROTECTION DEGREE | IP 67 | |
| CABLE LENGTH | 2 m | |
| CABLE SECTION | 3 x 0,14 mm ² | |
| HOUSING MATERIAL | Nickel-plated brass | |
| WEIGHT - Cable output - | 80 g | |
| WEIGHT - K1 connector output - | 40 g | |

Connection with connector M8 (K1)

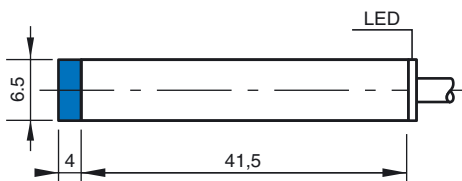


CONTACTS CONFIGURATION

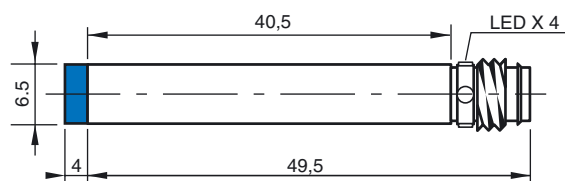
| Available | Contacts numbers | | |
|------------|------------------|---|-------|
| | 1 | 3 | 4 |
| (NO or NC) | + | - | NO/NC |

Dimensions (mm)

CONFIGURATION WITH CABLE



CONNECTOR K1



Note: the front part in blue refers to not shielded models