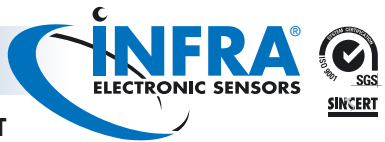




# Thru Beam Photoelectric Sensors



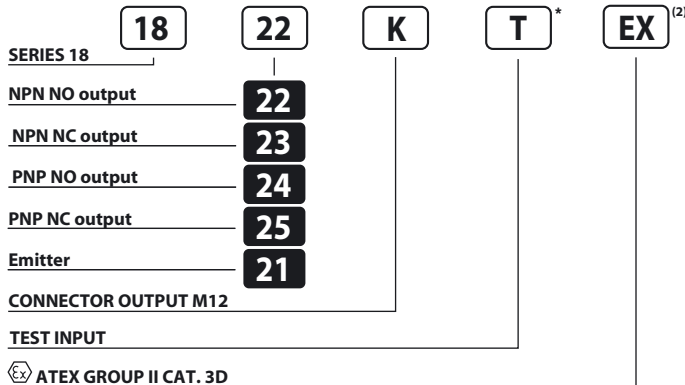
PHOTOELECTRIC SENSORS IN METAL HOUSING 12 ÷ 30 V DC NPN O PNP OUTPUT

- Miniature 18 mm tubular
- Operation LED aids installation
- Cable or M12 quick connect models
- Emitter with test input

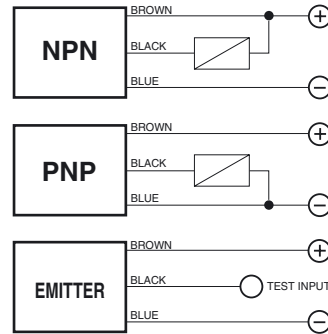
**18 Series**



## Identification code



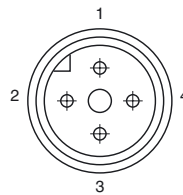
## Wiring diagrams



AVAILABLE	RECEIVER	EMITTER
NOMINAL SWITCHING DISTANCE (Sn)		<b>25 m</b>
TOLERANCE		+10/-10 %Sn
HYSTERESIS		10%
EMISSION	-	Infrared (875 nm)
NOMINAL VOLTAGE	12 ÷ 30VDC (-15 /+10%)	
RESIDUAL RIPPLE	≤ 10%	
MAX. OUTPUT CURRENT	200 mA	-
ABSORPTION AT 30 VDC	15 mA	
VOLTAGE DROP (Sensor ON)	≤ 1.5V (I = 200 mA)	
OPERATION LED	Yellow	
SWITCHING FREQUENCY	200 Hz	
RESPONSE TIME	5 mS	
START UP DELAY	100 mS	
SHORT CIRCUIT PROTECTION	Present (self-resetting)	
ELECTRIC PROTECTIONS	Against polarity reversal - inductive loads	
TEMPERATURE LIMITS	-10 ÷ +60 °C	
LIGHT IMMUNITY	> 10000 Lux <sup>(1)</sup>	
PROTECTION DEGREE	IP 67 (IP 65 for models with sensitivity adjustment)	
CABLE LENGTH	2 m	
CABLE SECTION	3 x 0.25 mm <sup>2</sup>	3/2 x 0.25 mm <sup>2</sup>
HOUSING MATERIAL	Housing: nickel plated brass - Lenses: methacrylate	
WEIGHT - cable output - (connector output)	- 110 g - (55 g)	

## Connection with connector M12 (K)

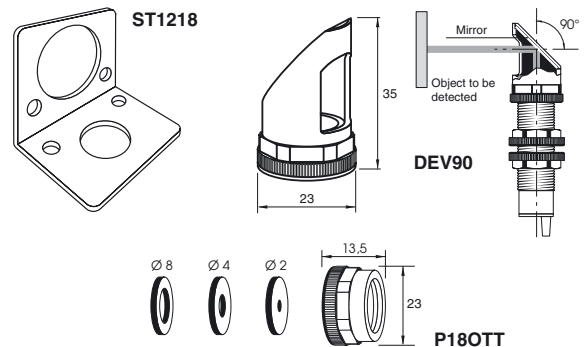
View of quadripole male connector.



### CONTACTS CONFIGURATION

Available	Contacts numbers			
	1	2	3	4
(NO o NC)	+		-	NO/NC
Emitter	+		-	TEST

## Accessories



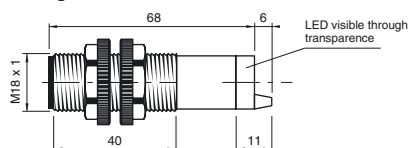
<sup>(1)</sup> Determined with halogen tungsten lamp 3000° K.

<sup>(2)</sup> Device marking ⊕ II 3D IP67 T6X.

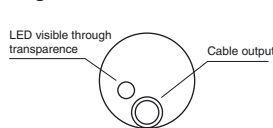
Note: for a proper use see norms at pages 12, 13, 14, 15 and 16.

## Dimensions (mm)

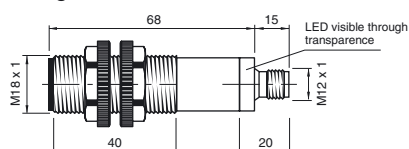
### Configuration with cable



### Configuration with cable - Back view



### Configuration with connector K



### Configuration with connector K Back view



## Characteristic curves

THRU BEAM  
Distance X (m)

