

## ACCESSORIES FOR PHOTOELECTRIC SENSORS M18

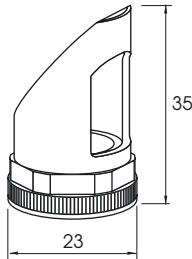
- Ray turner 90° for all M18 photoelectric sensors
- Shutter for all M18 emitter-receiver thru beam
- Mounting brackets for M12 - M18 and M30 sensors

## DEV-P18-ST Series

**New**

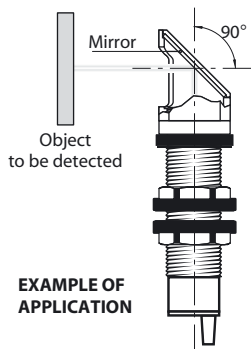


### Accessory for reading at 90° (Art. DEV90)



Ray turner for 90° sensing of cylindrical photoelectric sensors M 18. It can be used for DIFFUSE REFLECTIVE, RETRO REFLECTIVE, POLARIZED RETRO REFLECTIVE, EMITTERS AND RECEIVERS THRU BEAM systems.

Weight 7 g



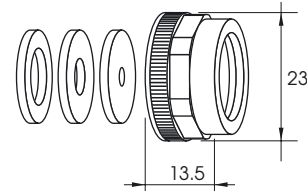
#### WARNING

The ray turner determines an attenuation of the switching distance that can be computed as follows:

$$DR = \frac{D - 2}{100} \times 80$$

where "D" is the sensor switching distance indicated in cm and "DR" is the real switching distance indicated in cm.

### Shutter for emitter-receiver thru beam (Art. P18OTT)



#### WARNING:

each package contains three shutter disks

Weight 5 g

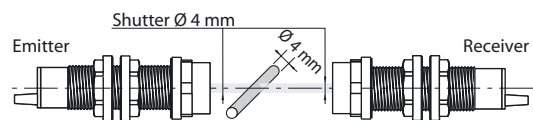
Accessory to detect small size objects with emitter-receiver cylindrical thru beam M18.

SHUTTING DIAM.	MIN. OBJECT TO BE DETECTED	DISTANCE ATTENUATION
2 mm	≥ 2 mm	97 %
4 mm	≥ 4 mm	84 %
8 mm	≥ 8 mm	54%

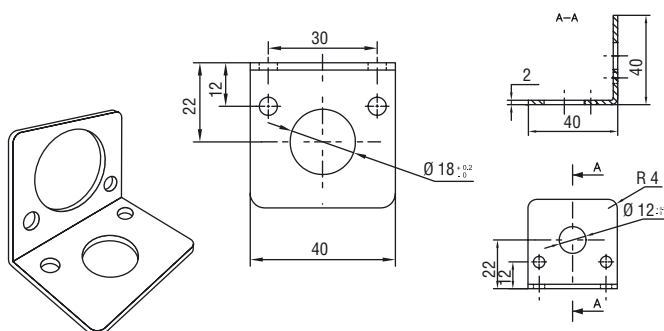
#### WARNING:

the datum "Minimum object to be detected" refers to the condition of shutter mounted on emitter receiver.

#### EXAMPLE OF APPLICATION



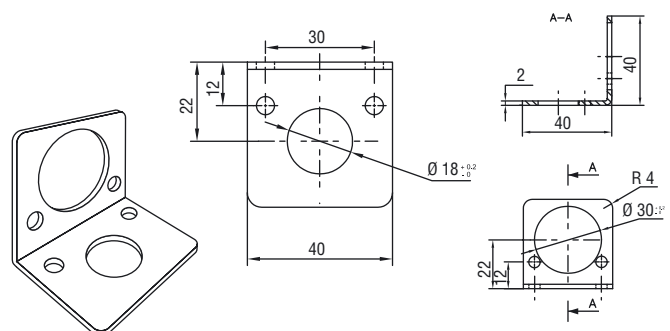
### Mounting brackets for M12, M18 sensors (Art. ST1218)



Material: stainless steel.

Weight 40 g

### Mounting brackets for M18, M30 sensors (Art. ST1830)



Material: stainless steel.

Weight 40 g