



Amplified Inductive Sensors Ø5



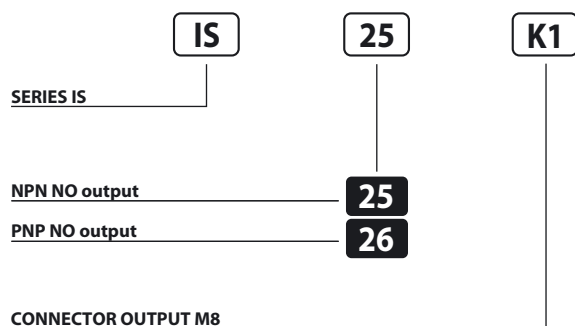
AMPLIFIED INDUCTIVE SENSORS 10÷30 V DC 3 WIRES NPN OR PNP OUTPUT

- Three-wire, amplified, shielded sensors
- 10 to 30 VDC, NPN or PNP
- NO select
- Cable or M8 quick connect models

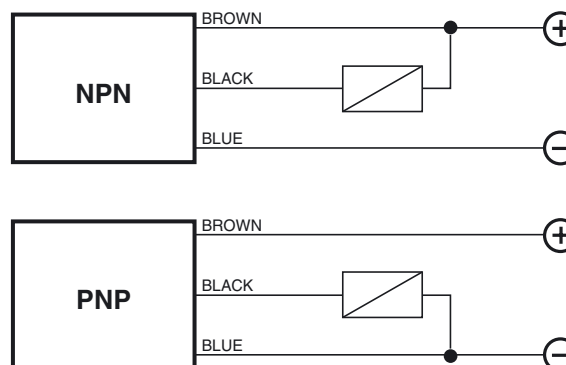
IS Series



Identification code

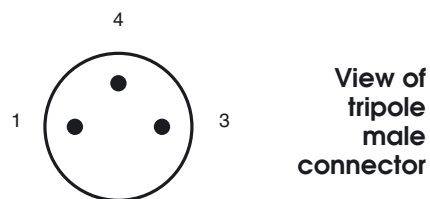


Wiring diagrams



| | |
|----------------------------------------------|---------------------------------------------|
| | SHIELDED |
| NOMINAL SWITCHING DISTANCE (S _n) | 0,8 mm |
| NOMINAL VOLTAGE | 10 ÷ 30 VDC (-15 / +10%) |
| RESIDUAL RIPPLE | ≤ 10% |
| HYSTERESIS | < 10% |
| MAX. OUTPUT CURRENT | 100 mA |
| RESIDUAL CURRENT | ≤ 10 mA |
| VOLTAGE DROP (Sensor ON) | < 1 V (I = 100 mA) |
| OPERATION LED | Present |
| SWITCHING FREQUENCY | 800 Hz |
| START UP DELAY | ≤ 50 mS |
| REPEATABILITY | ≤ 1% |
| SHORT CIRCUIT PROTECTION | Present (self-resetting) |
| ELECTRIC PROTECTIONS | Against polarity reversal - inductive loads |
| TEMPERATURE LIMITS | - 25 ÷ +60 °C |
| PROTECTION DEGREE | IP 67 |
| CABLE LENGTH | 2 m |
| CABLE SECTION | 3 x 0.14 mm ² |
| HOUSING MATERIAL | Stainless-steel |
| WEIGHT - Cable output - | 50 g |
| WEIGHT - K connector output - | 40 g |

Connection with connector M8 (K1)

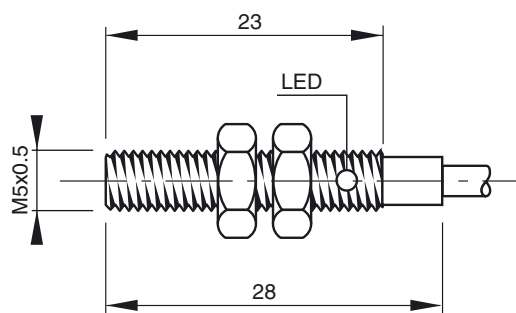


CONTACTS CONFIGURATION

| Available | Contacts numbers | | |
|-----------|------------------|-----------|------------|
| | 1 BROWN | 3 BLUE | 4 BLACK |
| NPN/PNP | + | - | NO/NC |

Dimensions (mm)

CONFIGURATION WITH CABLE



CONFIGURATION WITH CONNECTOR K1

