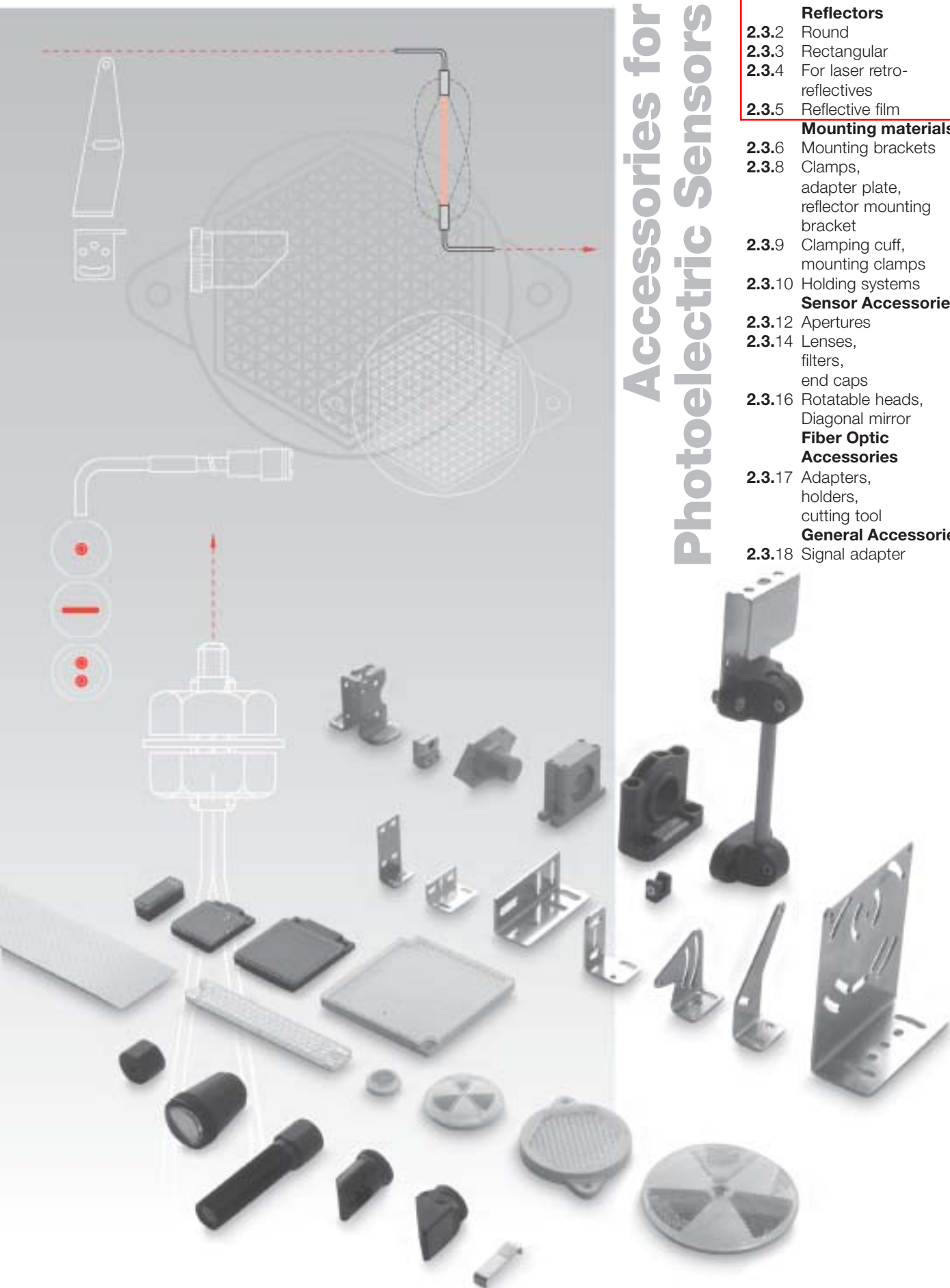
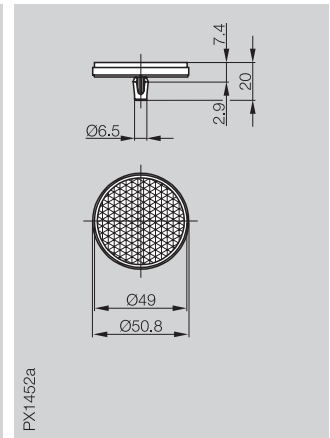
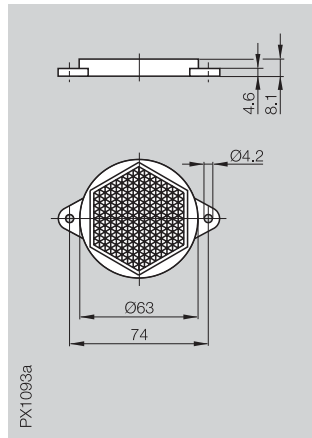
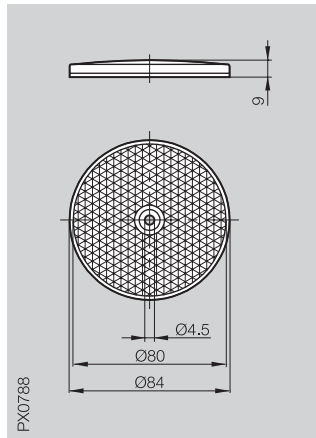


Accessories for Photoelectric Sensors

	Reflectors
2.3.2	Round
2.3.3	Rectangular
2.3.4	For laser retro-reflectives
2.3.5	Reflective film
	Mounting materials
2.3.6	Mounting brackets
2.3.8	Clamps, adapter plate, reflector mounting bracket
2.3.9	Clamping cuff, mounting clamps
2.3.10	Holding systems
	Sensor Accessories
2.3.12	Apertures
2.3.14	Lenses, filters, end caps
2.3.16	Rotatable heads, Diagonal mirror
	Fiber Optic Accessories
2.3.17	Adapters, holders, cutting tool
	General Accessories
2.3.18	Signal adapter

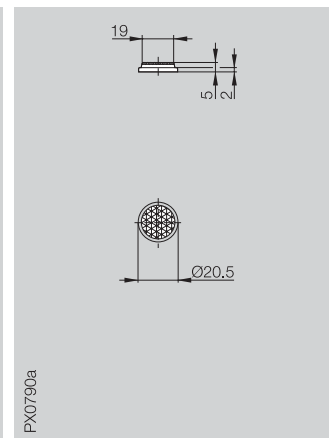
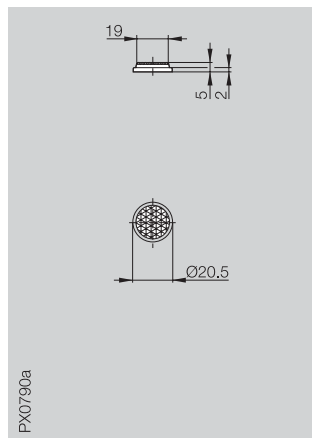
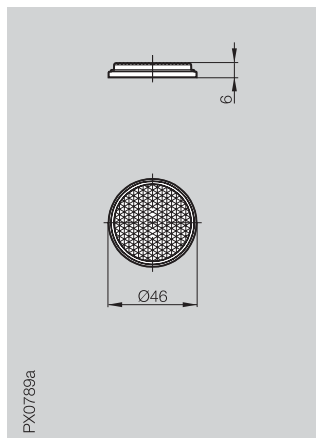


Size	Reflector Ø 84 mm	Reflector Ø 63	Reflector Ø 51 mm
Attachment	M5 screw	two M4 screws	Rivet with mounting tabs



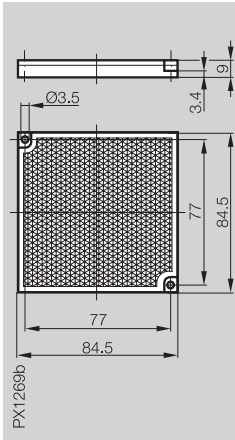
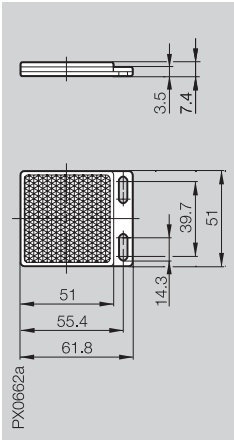
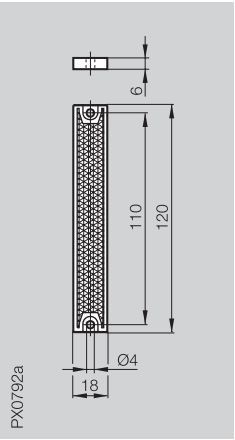
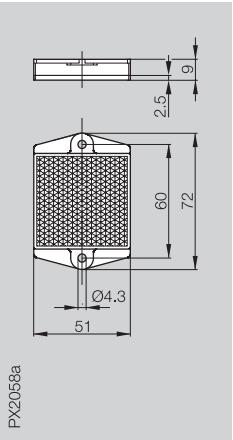
Ordering code	BOS R-1	BOS R-10	BOS R-14
Material	PMMA	PMMA	PC
Mounting accessories	BOS 21-AD-1		
Special features	Standard reflector		Chemical resistant 0...+100 °C
Temperature range	0...+65 °C	0...+65 °C	60 %
Reference sensing range	100 %	60 %	

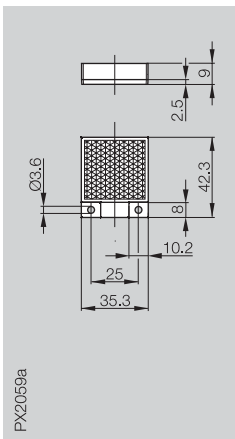
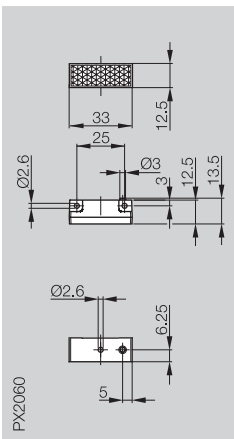
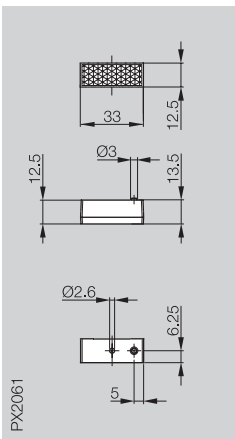
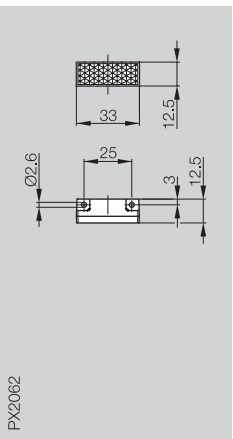
Size	Reflector Ø 46 mm	Reflector Ø 20 mm	Reflector Ø 20 mm
Attachment	glue	glue	glue

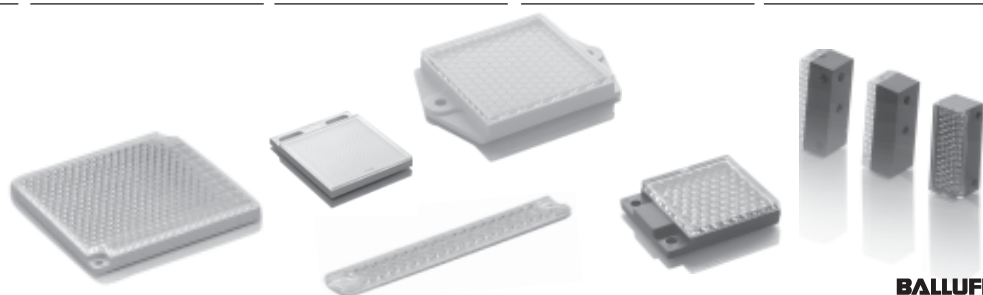


Ordering code	BOS R-2	BOS R-3	BOS R-15
Material	PMMA	PMMA	ABS/PMMA
Special features			Chemical resistant 0...+110 °C
Temperature range	0...+65 °C	0...+65 °C	25 %
Reference sensing range	60 %	25 %	



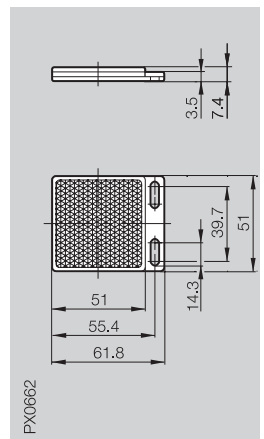
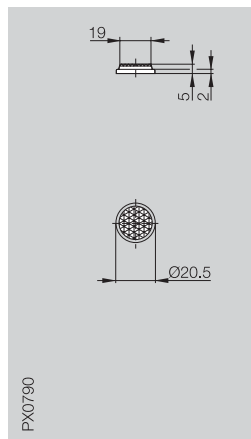
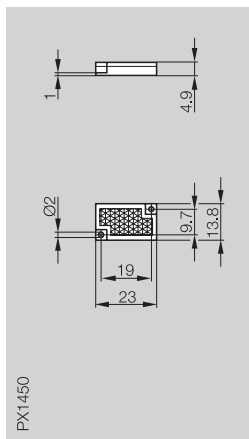
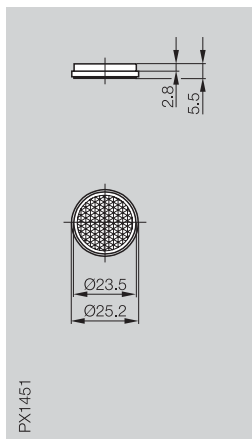
Size	Reflector 84x84 mm	Reflector 51x62 mm	Reflector 18x120 mm	Reflector 51x72 mm
Attachment	two M3 screws	two M4 screws	two M4 screws	two M4 screws
				
Ordering code	BOS R-11	BOS R-9	BOS R-5	BOS R-25
Material	PMMA	PMMA	PMMA	PMMA
Mounting accessories		BOS 5-HW-6		BOS 5-HW-4
Special features	High-performance reflector			
Temperature range	0...+50 °C	0...+50 °C	0...+50 °C	0...+50 °C
Reference sensing range	125 %	100 %	40 %	2.5 m (only for BOS 5K)

Size	Reflector 35x42 mm	Reflector 33x12 mm	Reflector 33x12 mm	Reflector 33x12 mm
Attachment	two M3 screws	one M3 screw	glue	
				
Ordering code	BOS R-26	BOS R-27	BOS R-28	BOS R-29
Material	PMMA	PMMA	PMMA	PMMA
Mounting accessories	BOS 5-HW-5	BOS 5-HW-1/2		BOS 5-HW-1/2
Temperature range	0...+50 °C	0...+50 °C	0...+50 °C	0...+50 °C
Reference sensing range	1.5 m			



Reflectors
for laser retroreflective types

Size	Reflector Ø 25 mm	Reflector 14x23 mm	Reflector Ø 20 mm	Reflector 51x62 mm
Attachment	glue	two M2 screws	glue	two M4 screws



Ordering code	BOS R-13	BOS R-12	BOS R-16	BOS R-22
Material	PMMA	ABS/PMMA	ABS/PMMA	ABS/PMMA
Mounting accessories				BOS 5-HW-6
Special features		Miniature reflector for laser retroreflectives 0...+55 °C	Miniature reflector for laser retroreflectives -20...+60 °C	
Temperature range	0...+55 °C			-10...+60 °C

For use with laser retroreflective types BOS 6K-PU-1LQA-.../BOS 26K-PA-1LQB-...

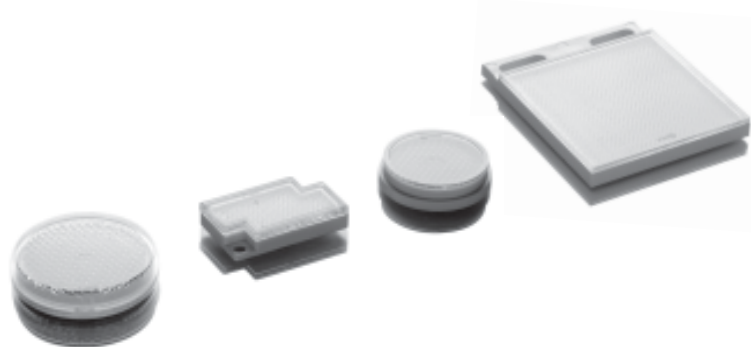
Reference sensing range	200 %	100 %	150 %	
Range with				
BOS 6K-PU-1LQA-...	2 m	1 m	1.5 m	
BOS 26K-PA-1LQB-...	5 m	2.5 m	3.75 m	

For use with Laser retroreflective types BOS 18K -PA-1LQ -.../BOS 26K-PA-1LQK-...

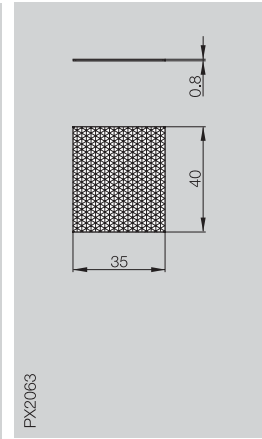
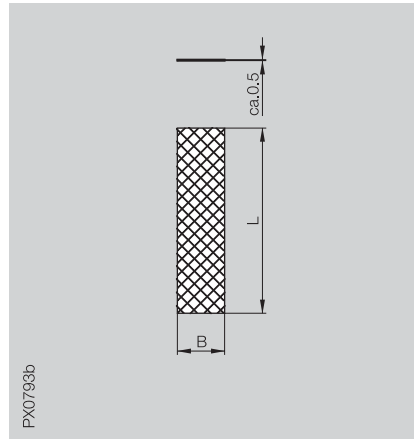
Reference sensing range	70 %	30 %	40 %	
Range with				
BOS 18KF-PA-1LQP-...	11.2 m	4.8 m	6.4 m	
BOS 18KW-PA-1LQH-...	6.3 m	2.7 m	3.6 m	
BOS 26K-PA-1LQK-...	8.4 m	3.6 m	4.8 m	

For use with standard retroreflective types (not laser)

Reference sensing range	40 %	30 %		
-------------------------	------	------	--	--



Size	Reflective tape see below	Reflective tape 40x35 mm
Attachment	self-adhesive	self-adhesive



Ordering code	BOS R-6-... (not for polarisiertes light)	BOS R-30 (also for polarized light)
	BOS R-7-... (also for polarized light)	
	BOS R-8-... (also for polarized light)	
Reference sensing range	40 % (for 100x50 mm)	40 %

Dimensions LxW	Ordering code
45 mmx50 mm	BOS R-6-45
250 mmx50 mm	BOS R-6-0.25
22 mmx50 mm	BOS R-7-22
250 mmx50 mm	BOS R-7-0,25
22 mmx25 mm	BOS R-8-22
250 mmx25 mm	BOS R-8-0.25

