



Background Suppression Photoelectric Sensors



PH. SENSORS IN RECTANGULAR HOUSING 15÷230 V AC/DC RELAY OUTPUT

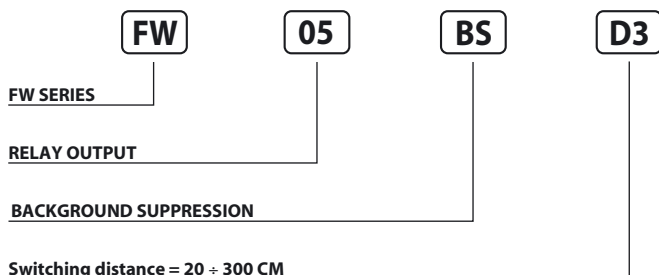
- **Switching distance: 200 cm**
- **Detecting black targets on white background**
- **Insensitive to colours**
- **Wide input voltage**
- **Conduit wiring terminal block**

FW Series

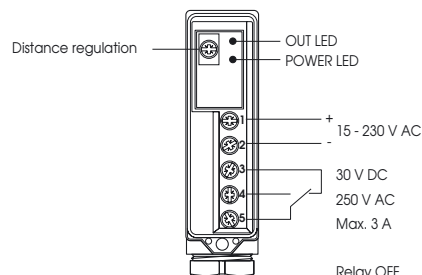
New



Identification code



Wiring diagrams



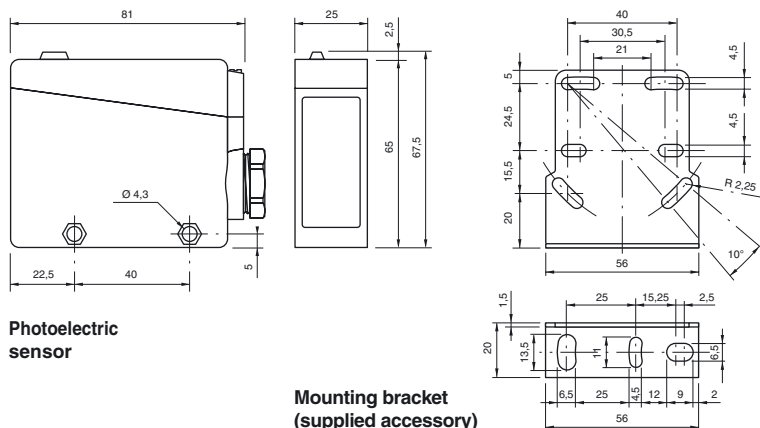
AVAILABLE	D3
NOMINAL SWITCHING DISTANCE (Sn)	Background Suppression 2 m ⁽¹⁾ / On White Target 3 m ⁽¹⁾
TOLERANCE	+10/-10 %Sn
HYSTERESIS	< 5%
EMISSION	880 nm
NOMINAL VOLTAGE	15 ÷ 230 V AC/DC (-15 /+10%)
NET FREQUENCY	45 ÷ 60 Hz
OUTPUT	Relay (40x10 ⁶ mec. op. -5x10 ⁶ elect. op.)
MAX OUTPUT CURRENT	3A 250 V AC - 3A 30 V DC
ABSORPTION	≤ 2W (2,5 V A)
YELLOW LED	Light on indicator
GREEN LED	Supply indicator
SENSITIVITY ADJUSTEMENT	Present
SWITCHING FREQUENCY	10 Hz
RESPONSE TIME	100 mS
START UP DELAY	≤ 300 mS
TEMPERATURE LIMITS	-10° ÷ +60°C
LIGHT IMMUNITY	> 10.000 Lux ⁽²⁾
PROTECTION DEGREE	IP 66
CONNECTIONS	Screw
CABLE GUIDE	PG 13.5
HOUSING MATERIAL	Housing: ABS - Lenses: methacrylate
WEIGHT (Approximately)	110 g

⁽¹⁾ Determined with a white mat paper (cm 20 x 20).

⁽²⁾ Determined with halogen tungsten lamp 3000° K.

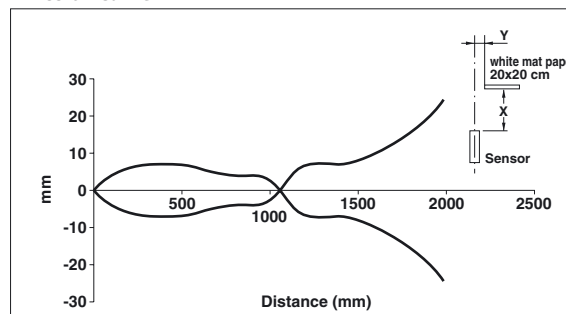
Note: for a proper use see norms at pages 12, 13, 14, 15 and 16.

Dimensions (mm)

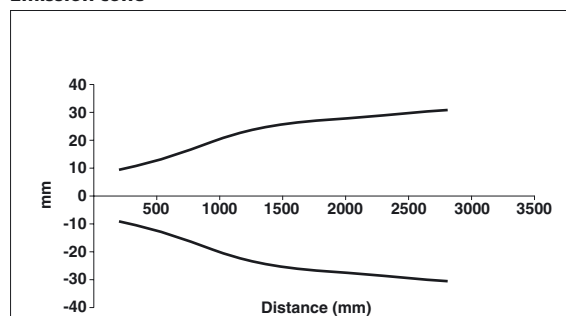


Characteristic curves

Emission curve



Emission cone



Chromatic sensitivity

